

R&S®CMW100 Communications Manufacturing Test Set

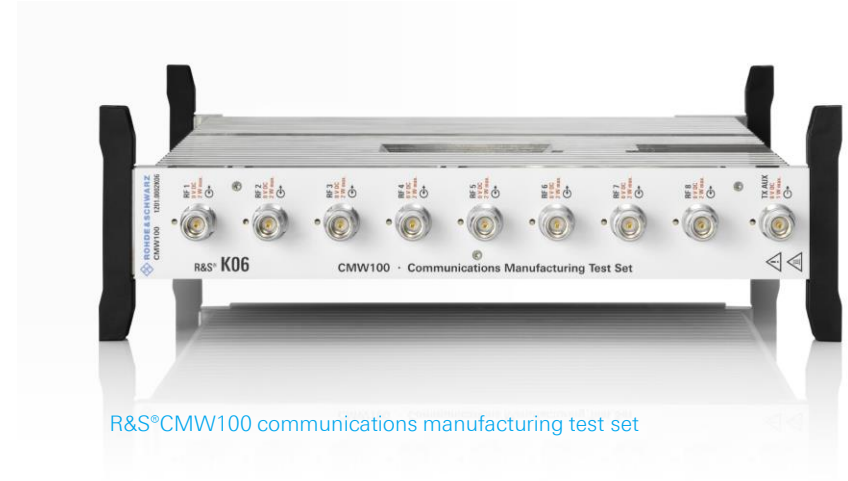
Universal non-signaling test set incl. 5G NR at sub 6 GHz

Test challenge

The R&S®CMW100 communications manufacturing test set is a new trendsetting product for calibrating and verifying various kinds of communications devices.

Test solution

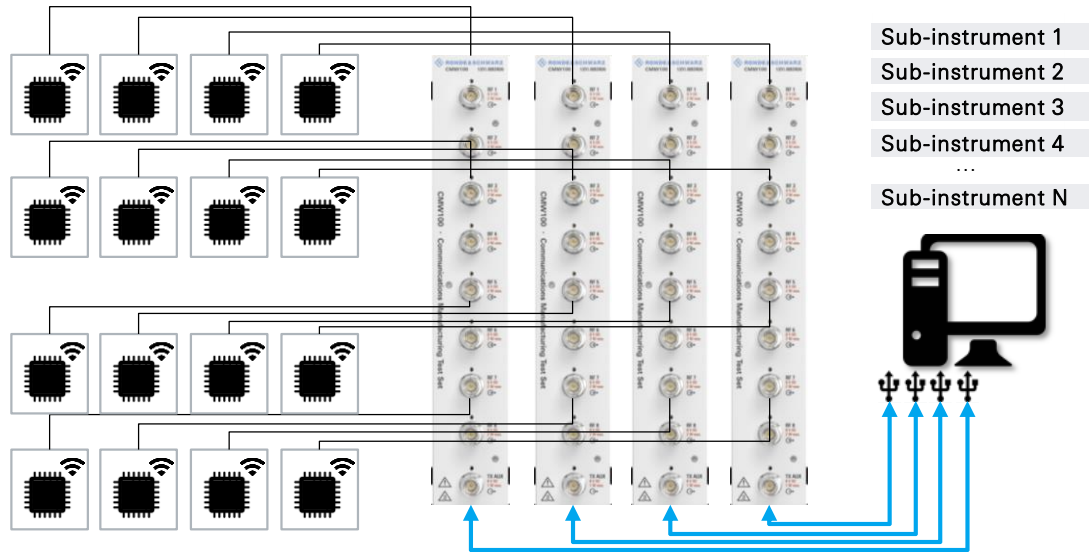
- Frontend with 8 bidirectional and full duplex ports (multi-DUT handling made simple)
- Continuous frequency range from 70 MHz to 6 GHz
- High accuracy
 - Generator ± 0.6 dB.
 - Analyzer ± 0.5 dB.
- Dust protection – passive cooling, no ventilator so no dust build-up
- Smart channel – high efficiency through parallel testing



R&S®CMW100 communications manufacturing test set

Your benefit	Features
Receiver and transmitter testing	<ul style="list-style-type: none"> ■ Continuous frequency range up to 6 GHz, multitechnology solution ■ Parallel testing on up to eight RF ports ■ High measurement performance
Features	<ul style="list-style-type: none"> ■ RF generator signal is split and forwarded to 8 output ports ■ Every output can be switched off separately ■ Collective output level setting for connectors RF 1 to RF 8 ■ Frequency-dependent attenuation (FDA) for each connector ■ Smart channel – multi-DUT handling made simple ■ Dust protection

Smart channel – scalability and flexibility



R&S®CMW100: multiplex function for multi-DUT handling, frontend with 8 bidirectional and full duplex ports

Technologies	Features
Cellular technologies	5G NR at sub 6 GHz LTE-A C-V2X WCDMA/HSPA+ GSM/GPRS/EGPRS CDMA2000 (1xRTT/1xEV-DO) TD-SCDMA
Non-cellular technologies	WLAN IEEE802.11 a/b/g/n/p/ac/ax Bluetooth® up to 5.1
IoT technologies	IEEE802.15.4 (Zigbee) LoRa SigFox CAT M1 NB-IoT
GNSS technologies	GPS BeiDou GLONASS Galileo
Broadcasting technologies	DVB-T T-DMB CMMB

Compact, innovative testing



Smart channel

Multitechnology

Silent

Dust protection

R&S®CMW100: passive cooling, no ventilator – silent and no dust inside

Solutions



IoT



Telematics



Smart factory



Smart home



Healthcare



Smart city

绿测科技有限公司

广州总部：广州市番禺区陈边村金欧大道83号江湖创意园A栋208室
深圳分公司：深圳市龙华区龙华街道 油松社区东环一路1号耀丰通工业园1-2栋2栋607
南宁分公司：广西自由贸易试验区南宁片区五象大道401号五象航洋城1号楼3519号
广州分公司：广州市南沙区凤凰大道89号中国铁建·凤凰广场B栋1201房
电话：020-2204 2442
传真：020-8067 2851
邮箱：Sales@greentest.com.cn
官网：www.greentest.com.cn



微信视频号



绿测科技订阅号



绿测工场服务号